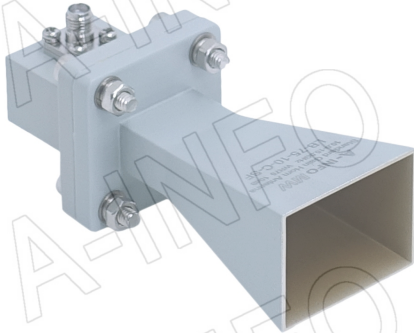


For reference only. See data sheet for the detailed specifications.

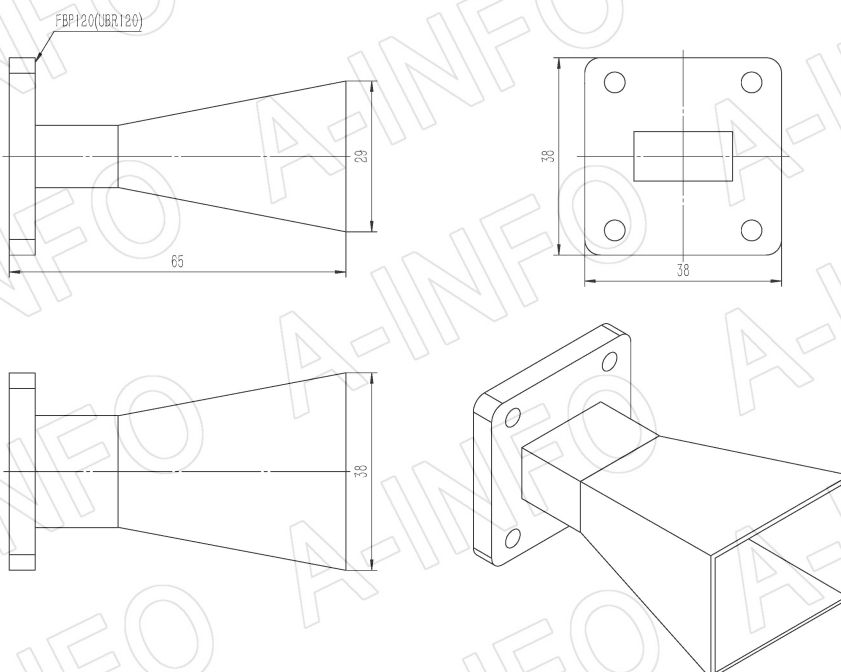
Technical Specification



Frequency Range(GHz)	10.0 – 15.0
Waveguide	WR75
Gain(dBi)	10 Typ.
Polarization	Linear
3dB Beamwidth(deg)	E Plane: 46 Typ.
	H Plane: 42 Typ.
Cross Pol. Isolation(dB)	30 Typ.
VSWR	A Type: 1.15:1 Typ.
	C Type: 1.25:1 Typ.
Output	A Type: FBP120(UBR120)
	C Type: SMA-Female or N-Female or TNC-Female or 7mm or 3.5mm-Female
Material	Al
Finish	Chemical Conversion Coating, Gray Paint
Size(mm)	A Type: 38 x 38 x 65
	C Type: 38 x 38.2 x 95
Net Weight(Kg)	A Type: 0.05 Around
	C Type: 0.10 Around

Outline Drawing (Size: mm)

FBP120 Output (P/N: LB-75-10-A)



AINFO Inc.

China(Beijing): Tel: (+86) 10-6266-7326,
China(Chengdu): Tel: (+86) 28-8519-2786,
USA : Tel: (+1) 949-639-9688,

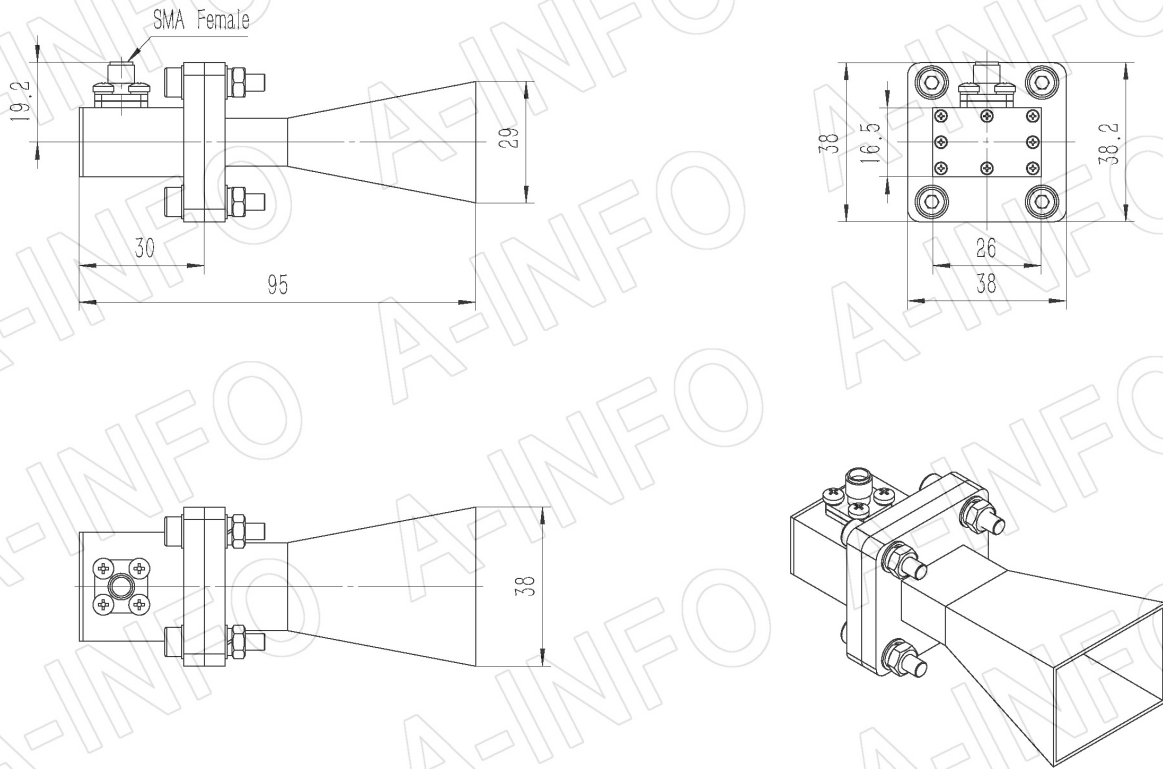
Page 1 of 11

(+86) 10-6266-7327 Fax: (+86) 10-6266-7379
(+86) 28-8519-3044 Fax: (+86) 28-8519-3068
(+1) 949-639-9608 Fax: (+1) 949-639-9670

Website: www.ainfoinc.com
Email: sales@ainfoinc.com

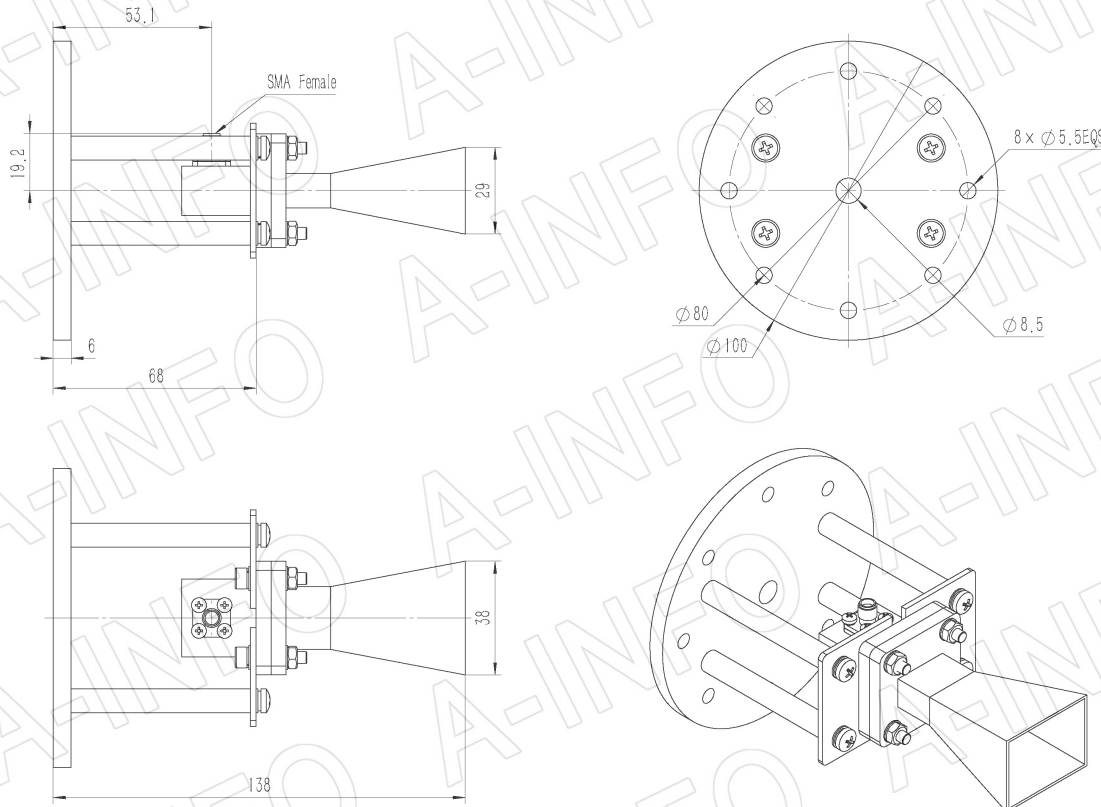
SMA-Female Output (P/N: LB-75-10-C-SF)

For N-Female, TNC-Female, 7mm or 3.5mm-Female output outline drawing, please contact A-INFO.



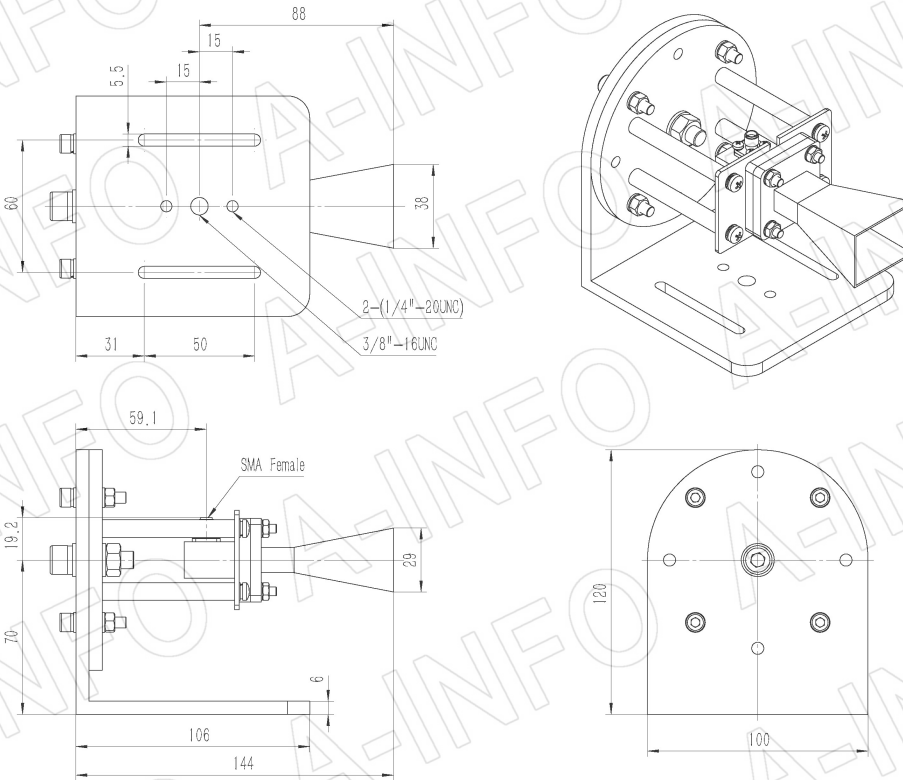
SMA-Female Output with Round Mounting Bracket (Option, P/N: LB-75-10-C-MB)

For N-Female, TNC-Female, 7mm or 3.5mm-Female output outline drawing, please contact A-INFO.

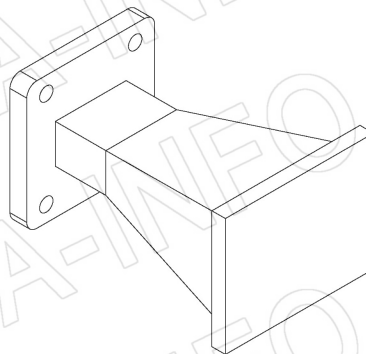
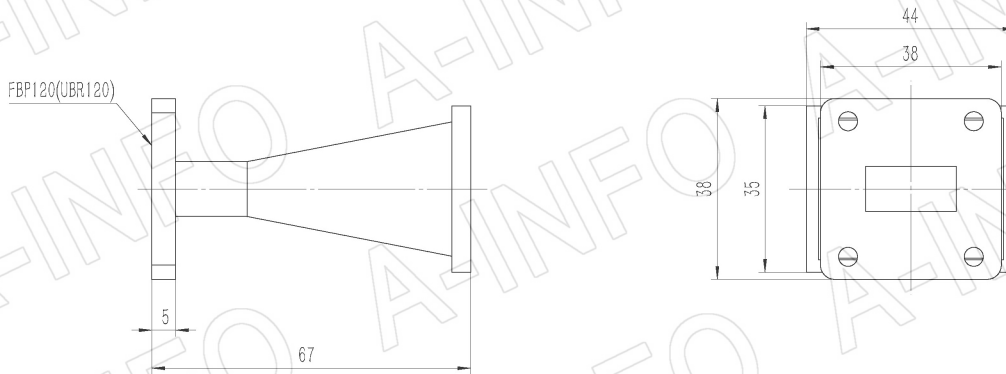


SMA-Female Output with L Type Mounting Bracket (Option, P/N: LB-75-10-C-MBL)

For N-Female, TNC-Female, 7mm or 3.5mm-Female output outline drawing, please contact A-INFO.

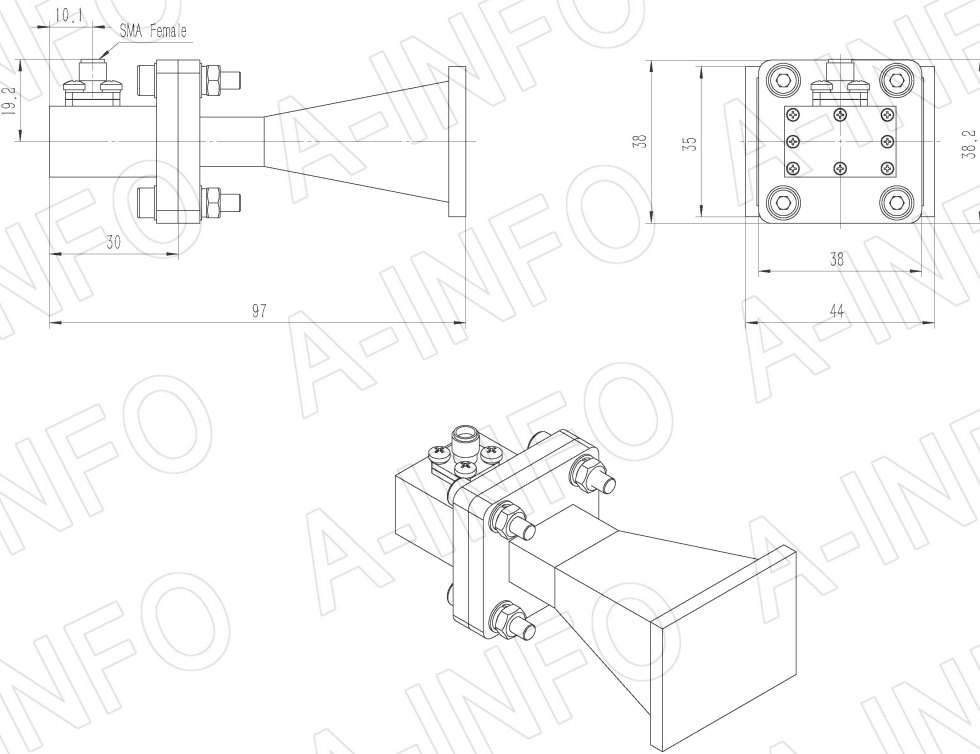


FBP120 Output with Radome (Option, P/N: LB-75-10-ASPO, Outdoor Application)



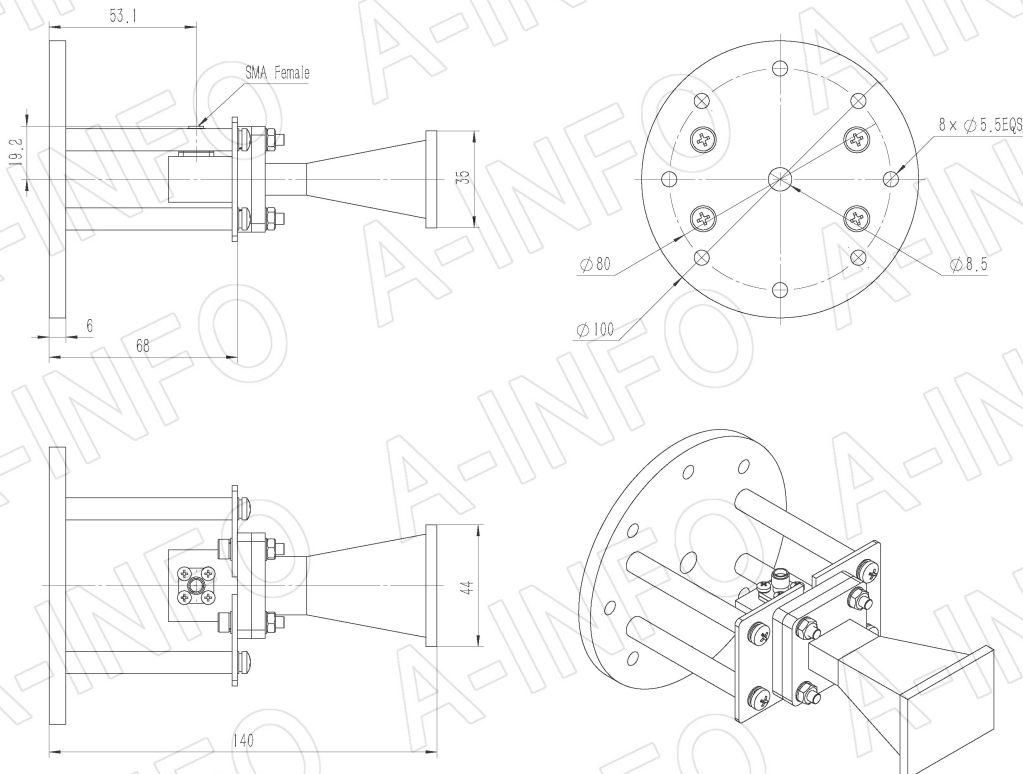
SMA-Female Output with Radome (Option, P/N: LB-75-10-C-SFSP0, Outdoor Application)

For N-Female, TNC-Female, 7mm or 3.5mm-Female output outline drawing, please contact A-INFO.



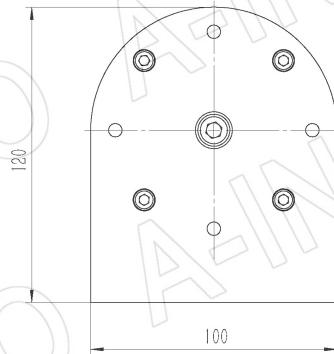
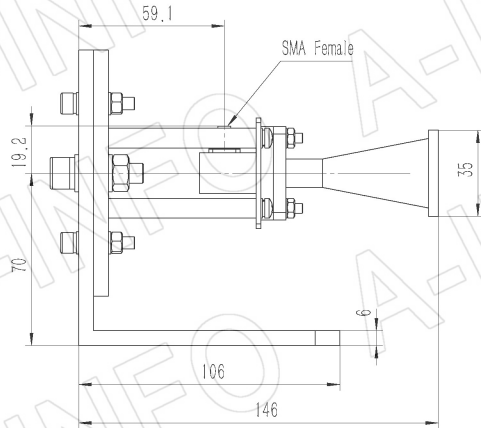
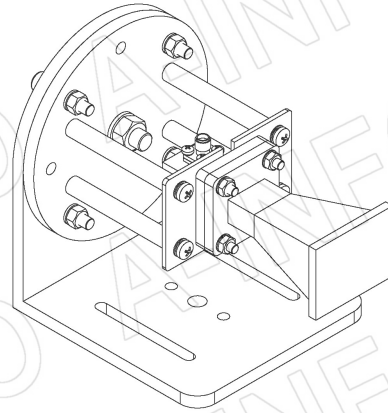
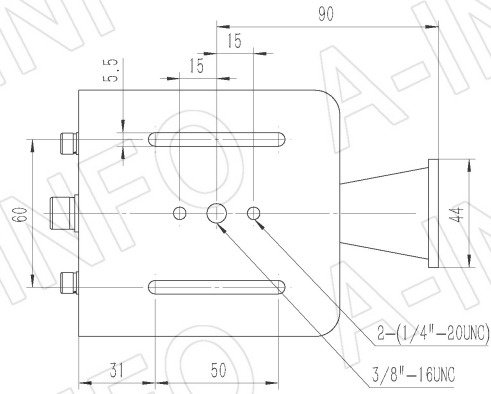
SMA-Female Output with Round Mounting Bracket & Radome (Option, P/N: LB-75-10-C-MB & LB-75-10-C-SFSP0, Outdoor Application)

For N-Female, TNC-Female, 7mm or 3.5mm-Female output outline drawing, please contact A-INFO.

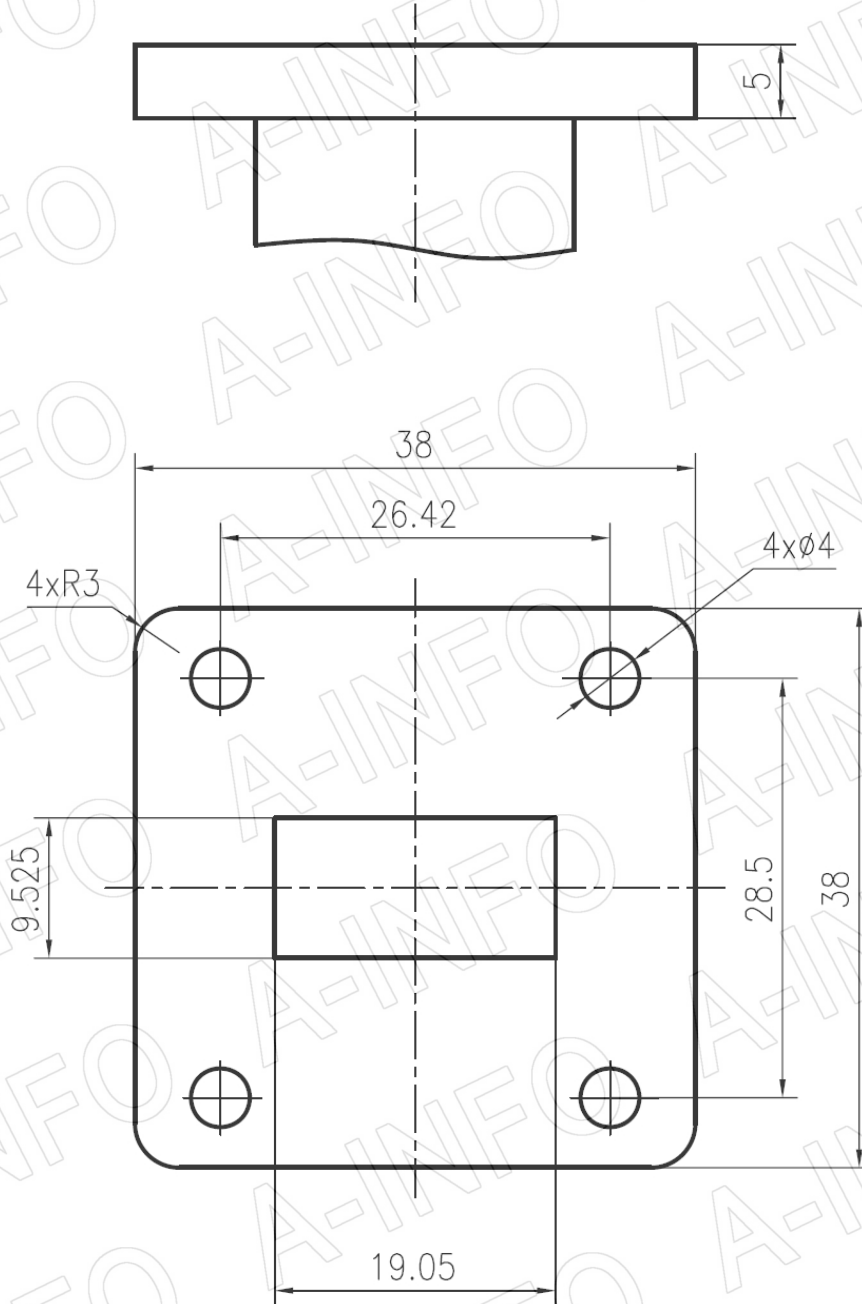


SMA-Female Output with L Type Mounting Bracket & Radome (Option, P/N: LB-75-10-C-MBL & LB-75-10-C-SFSP0, Outdoor Application)

For N-Female, TNC-Female, 7mm or 3.5mm-Female output outline drawing, please contact A-INFO.



Flange Drawing (Size: mm)



FBP120

AINFO Inc.

China(Beijing): Tel: (+86) 10-6266-7326,
China(Chengdu): Tel: (+86) 28-8519-2786,
USA: Tel: (+1) 949-639-9688,

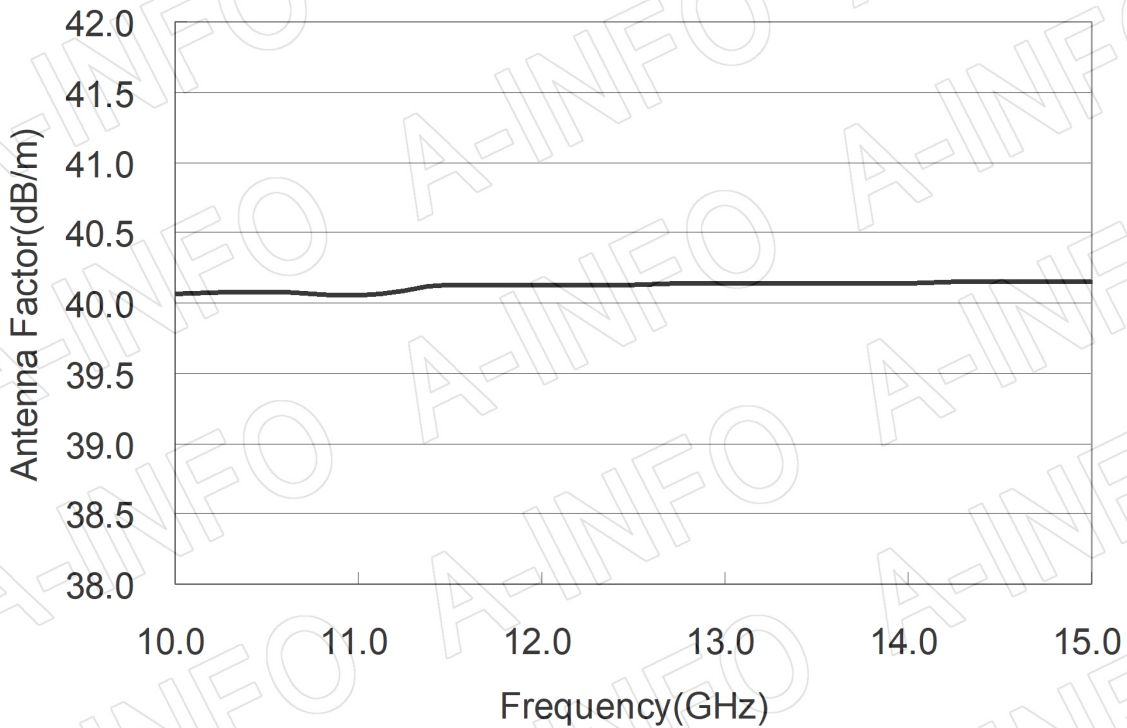
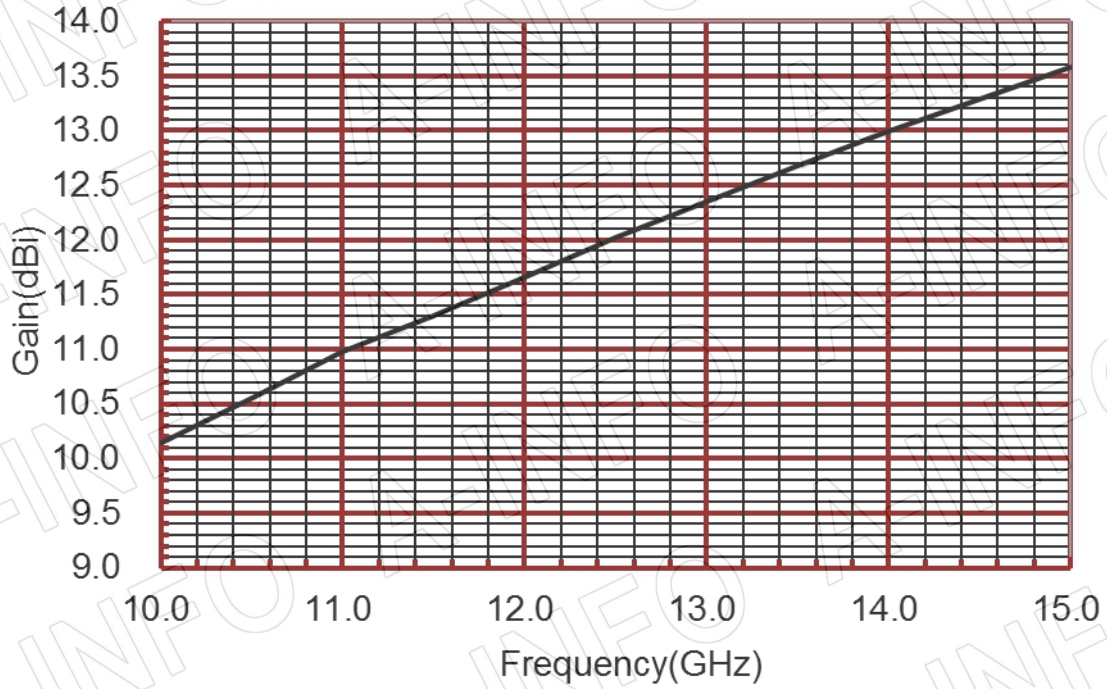
Page 6 of 11

(+86) 10-6266-7327 Fax: (+86) 10-6266-7379
(+86) 28-8519-3044 Fax: (+86) 28-8519-3068
(+1) 949-639-9608 Fax: (+1) 949-639-9670

Website: www.ainfoinc.com
Email: sales@ainfoinc.com

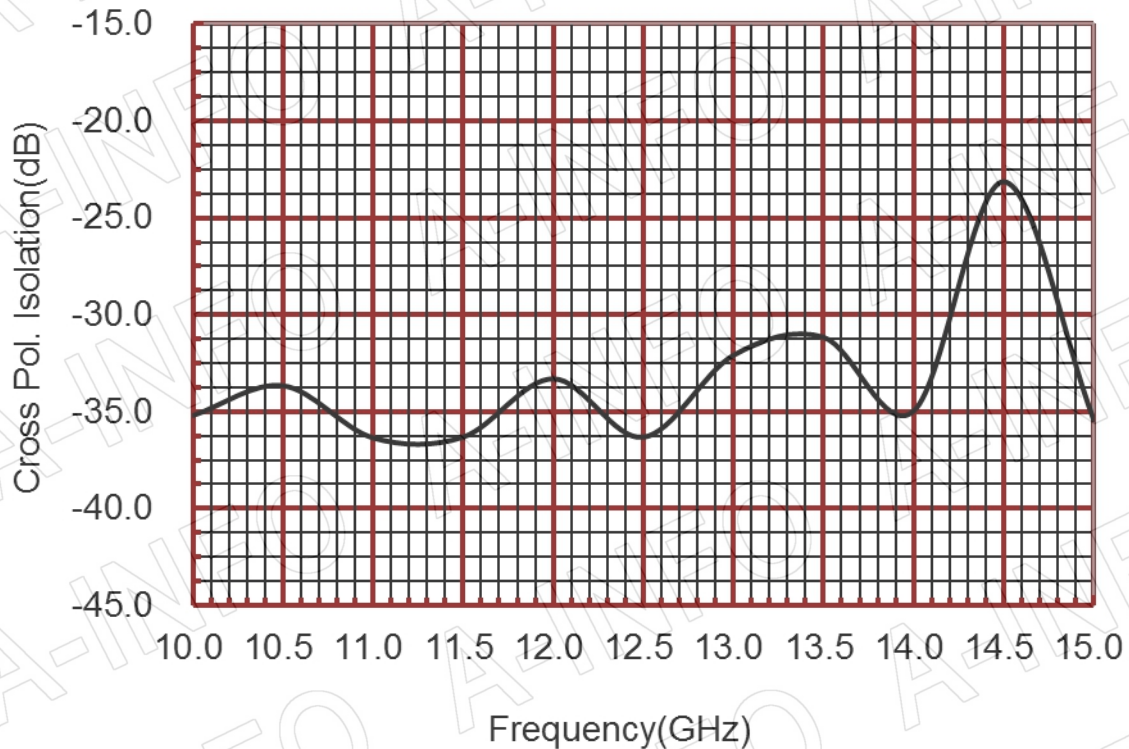
Test Results

1. Gain & Antenna Factor

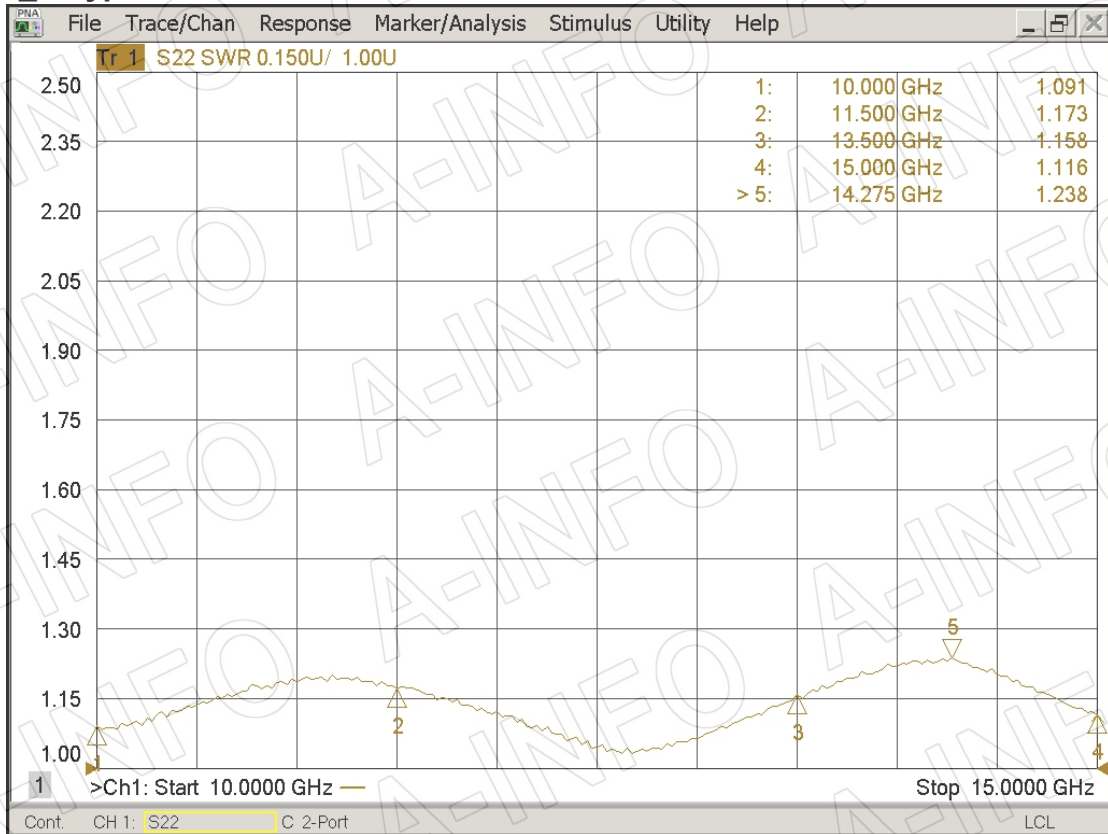


Frequency(GHz)	Gain(dBi)	Antenna Factor(dB/m)
10.0	10.15	40.06
10.5	10.56	40.07
11.0	10.98	40.06
11.5	11.30	40.12
12.0	11.66	40.13
12.5	12.02	40.13
13.0	12.35	40.14
13.5	12.68	40.14
14.0	12.99	40.14
14.5	13.29	40.15
15.0	13.58	40.15

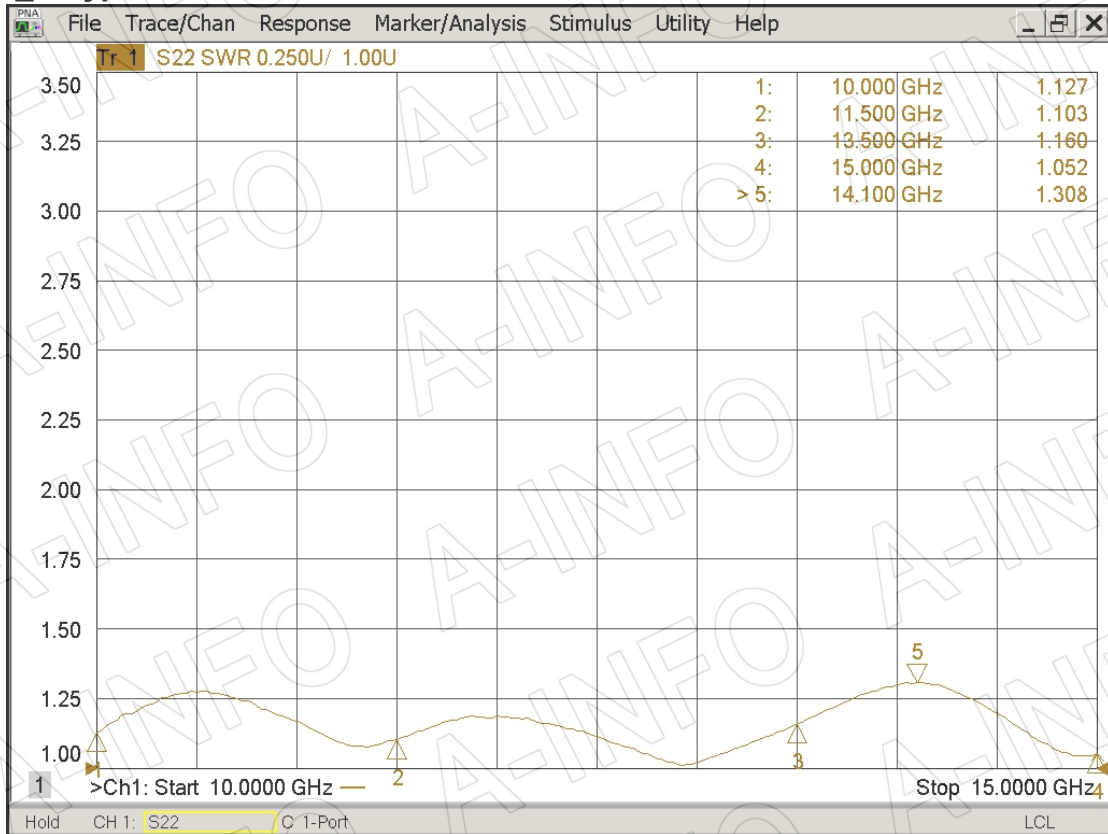
2. Cross Polarization Isolation



3. VSWR_A Type



VSWR_C Type



4. Pattern

